

# Silent Gliss® 3900 System

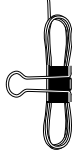
## Fitting Instructions

### WARNING

Parents should realise that children could accidentally strangle in window blind cords. Keep the cords out of the reach of children using one of these devices.



1. Clothes peg or bulldog clip



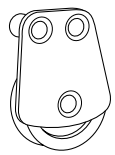
2. Cleat



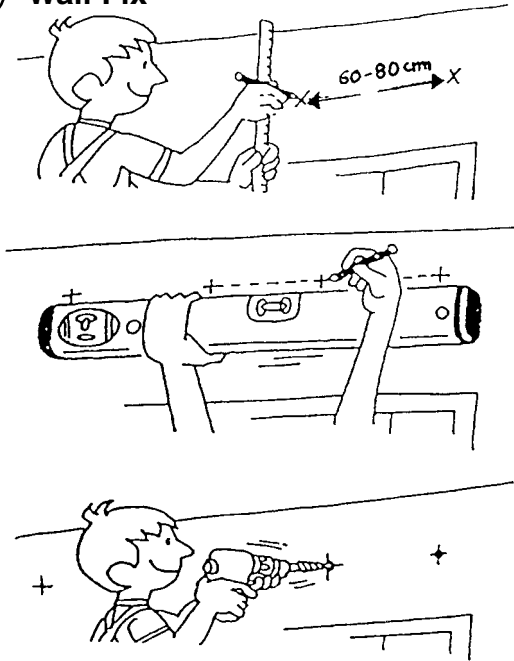
3. Tie cord to itself



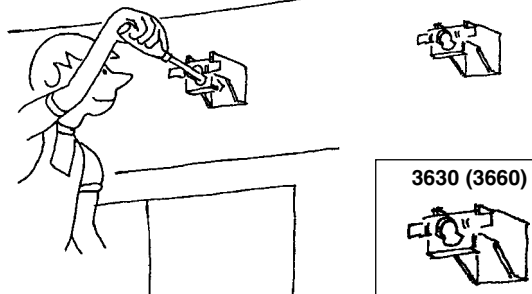
4. Cord tidy (Silent Gliss part No. 3799)



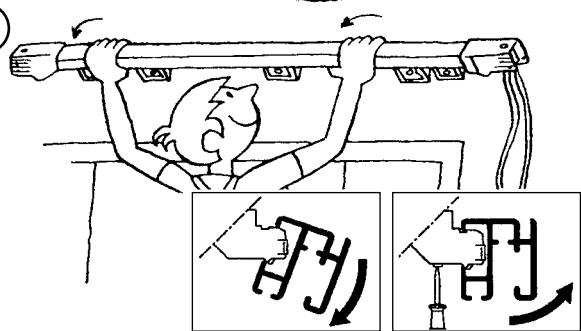
### 1 Wall Fix



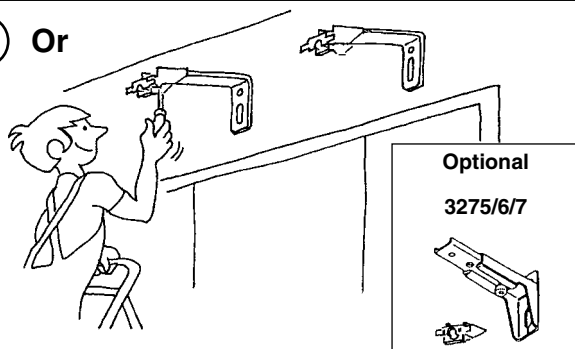
### 2



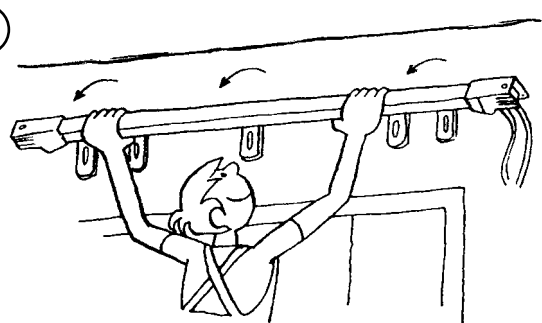
### 3



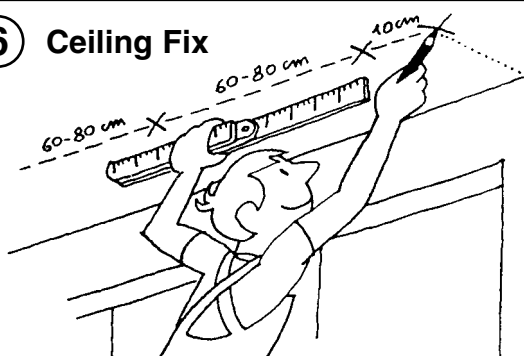
### 4 Or



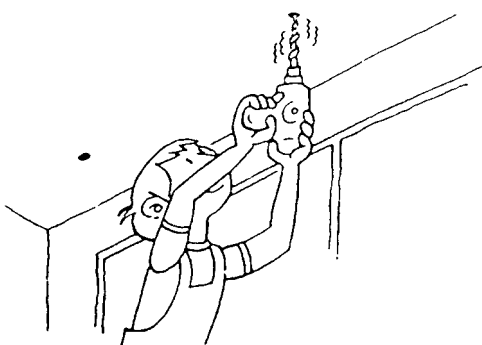
### 5



### 6 Ceiling Fix

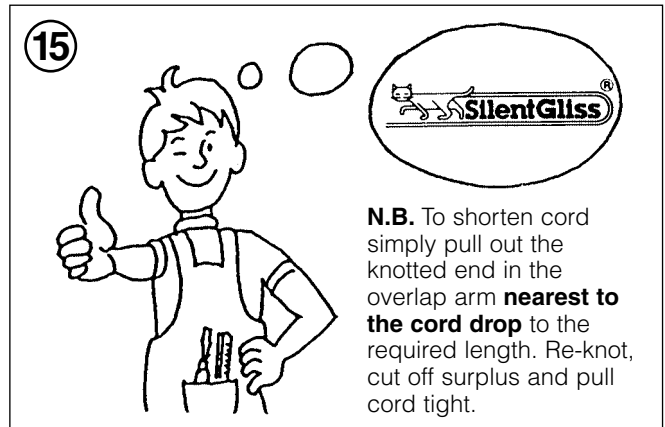
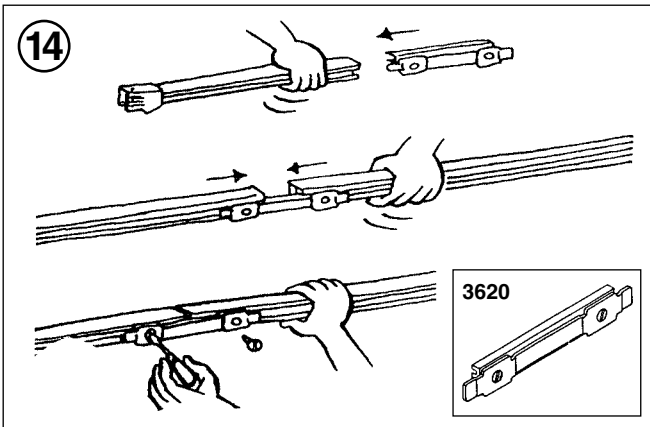
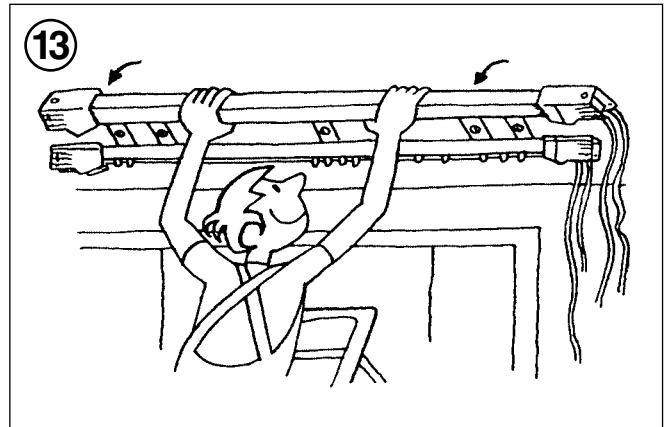
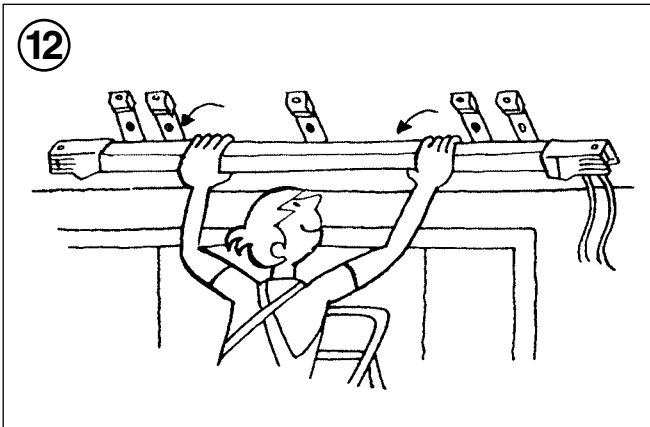
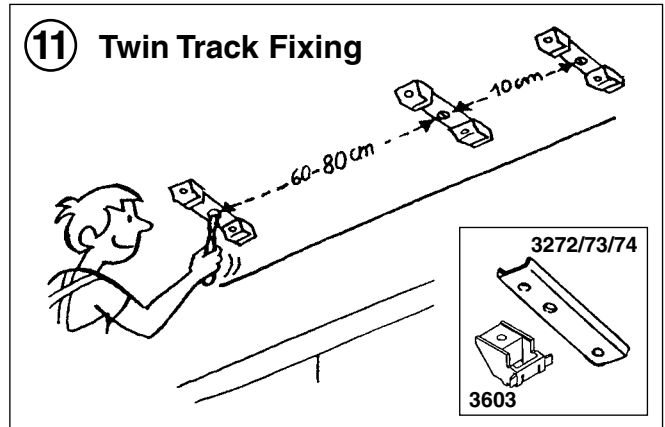
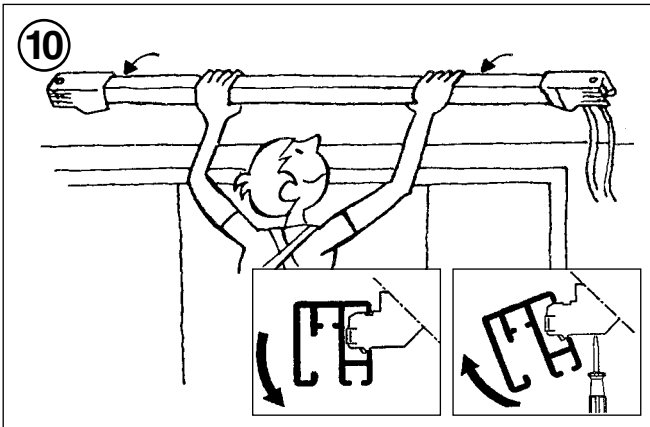
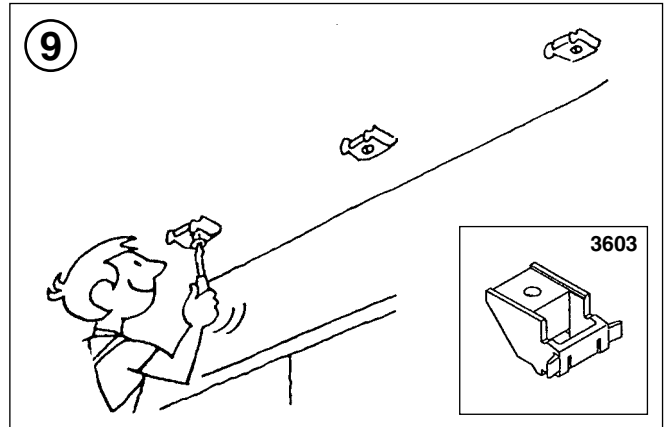
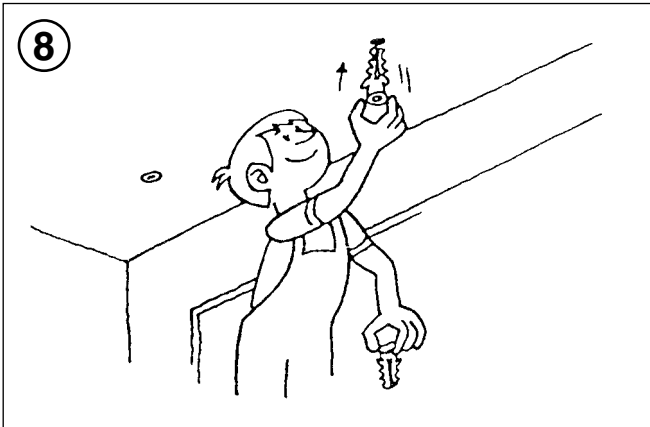


### 7



# Silent Gliss® 3900 System

## Fitting Instructions



0702