

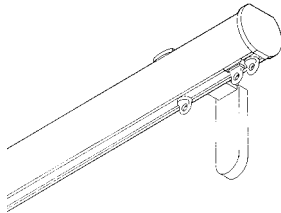
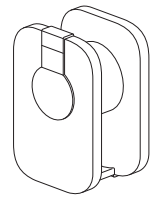
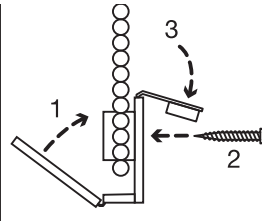
Silent Gliss® 1003/6100M/6120/6130/6140/6160 Systems Fitting Instructions

WARNING



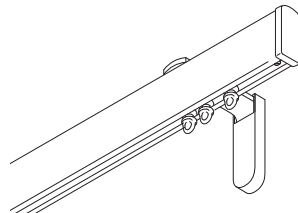
Parents should realise that children could accidentally strangle in window blind cords. Keep the cords out of the reach of children using cord tidy device.

WALL



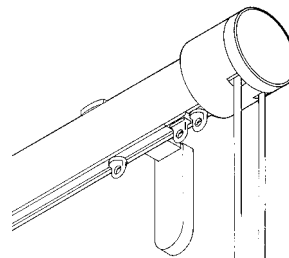
System 1003

Refers to A, B & C fixing (if bent, fixing E)



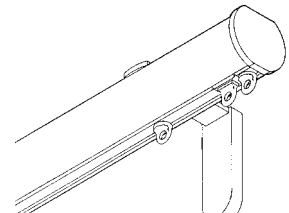
System 6100M

Refers to A, B, C & D fixing (if bent, fixing E)



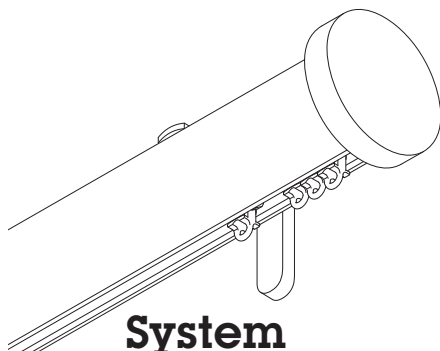
System 6120

Refers to A, B, C & D fixing (if bent, fixing E)



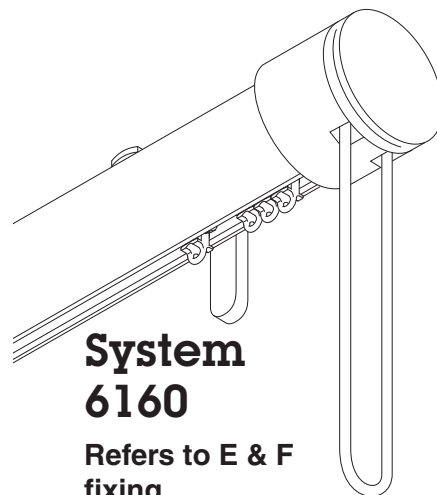
System 6130

Refers to A, B, C & D fixing (if bent, fixing E)



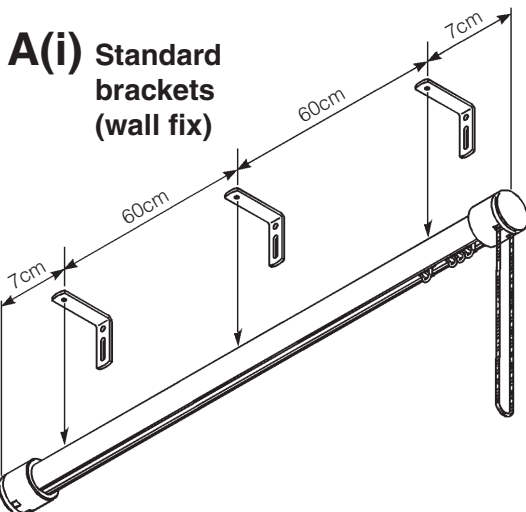
System 6140

Refers to E & F fixing



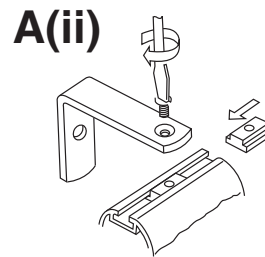
System 6160

Refers to E & F fixing



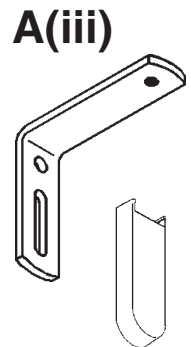
A(i) Standard brackets (wall fix)

Offer track up to wall and mark a point 7cm (2³/₄" in from each end. Firmly fix brackets to wall in these positions. Fix remaining brackets to wall at equal intervals between these brackets (approx. 60cm/2'0") ensuring that they are perfectly level.



A(ii)

The track inserts move freely inside the top channel of the track: line them up with each bracket, starting at each end, and screw down into the insert through the bracket until tight.



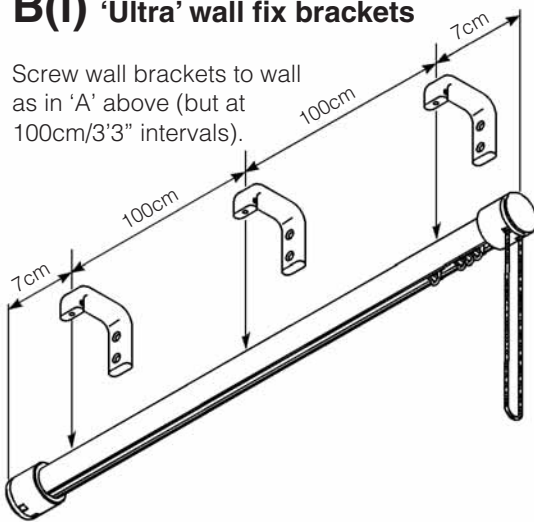
A(iii)

Finally slide on bracket cover

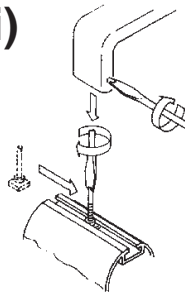
Silent Gliss® 1003/6100M/6120/6130/6140/6160 Systems Fitting Instructions

B(i) 'Ultra' wall fix brackets

Screw wall brackets to wall as in 'A' above (but at 100cm/3'3" intervals).



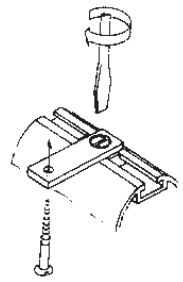
B(ii)



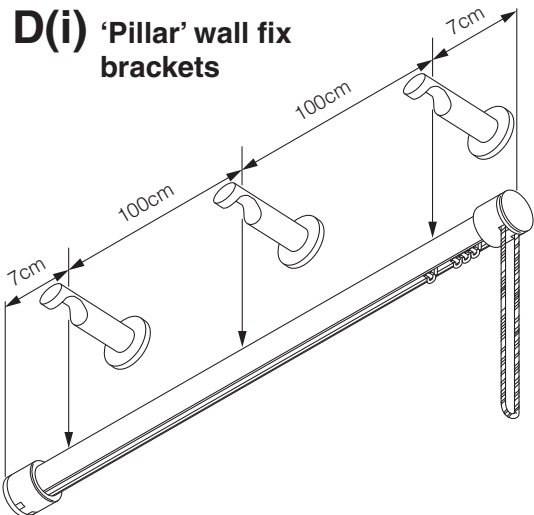
Align track inserts in top of channel with the centre of the brackets and tighten so that they no longer move. Offer insert up to wall brackets and slide into hole on the bottom of the bracket. Screw in side of bracket until tight.

C Ceiling fix brackets

Ceiling fix bracket and insert are loose in top channel of track. Ascertain where you want the brackets to be fixed by offering the track up to the ceiling. (Again the outside fixing points should be 7cm/2¾" from the outside edge of the track and max. 60cm/2'0" apart.) Tighten bracket and insert until they do not move, in the positions required. Offer track up to the ceiling and mark through the other hole in the bracket. Drill and plug the ceiling and fix firmly.

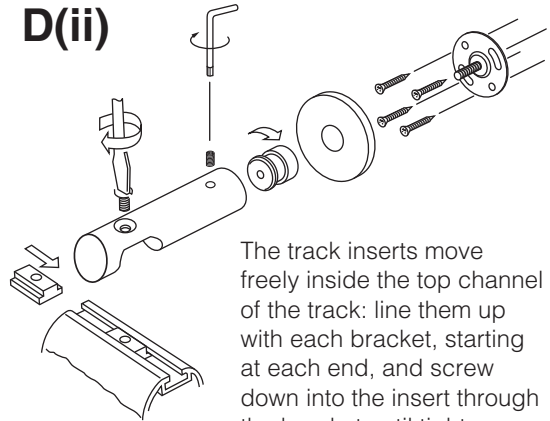


D(i) 'Pillar' wall fix brackets



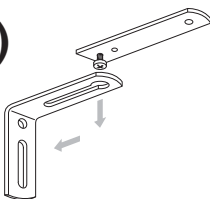
Offer track up to wall and mark a point 7cm (2¾") in from each end. Firmly fix brackets to wall in these positions. Fix remaining brackets to wall at equal intervals between these brackets (approx. 100cm/3'3" a part) ensuring that they are perfectly level.

D(ii)



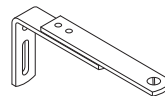
The track inserts move freely inside the top channel of the track: line them up with each bracket, starting at each end, and screw down into the insert through the bracket until tight.

E(i)



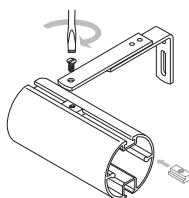
To initially assemble adjusting bracket, put screw in end topplate position on 'arm'. Locate screw head through key hole on fixed (base) bracket.

(ii)



Locate screw in second fixing hole and half tighten. Offer track to wall and mark bracket fixing positions (see below).

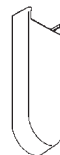
(iii)



Offer track up to wall and mark a point 7cm (2¾") in from each end. Firmly fix brackets to wall in these positions. Fix remaining brackets to wall at equal intervals between these brackets (approx. 60cm/2'0") ensuring that they are perfectly level.

The track inserts move freely inside the top channel of the track: line them up with each bracket, starting at each end, and screw down into the insert through the bracket until tight.

(iv)



Finally slide on bracket cover

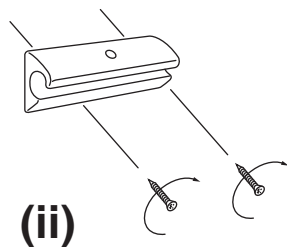
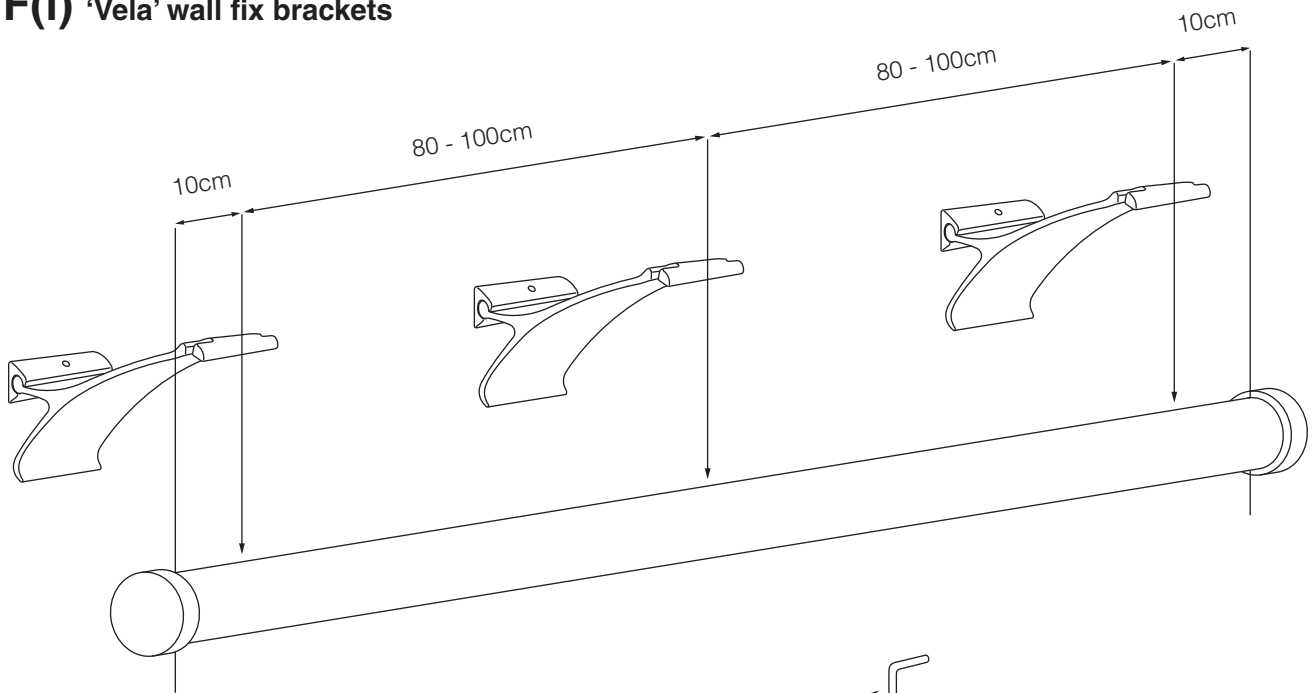
*Set projection

Ensuring all fixing holes are in a straight line.

Bay windows: Please note all bent tracks are supplied with adjustable brackets as standard (unless requested otherwise).

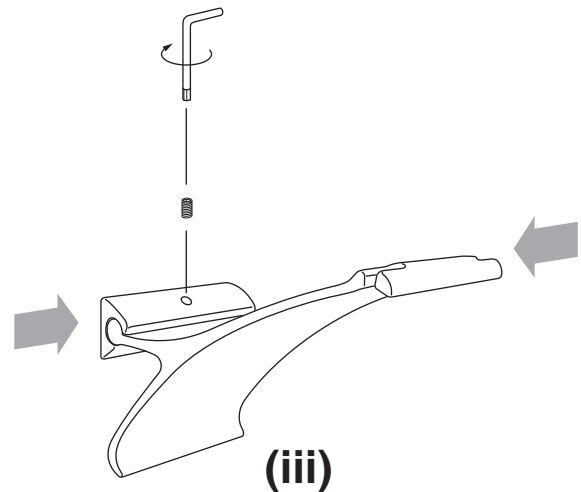
Silent Gliss® 1003/6100M/6120/6130/ 6140/6160 Systems Fitting Instructions

F(i) 'Vela' wall fix brackets



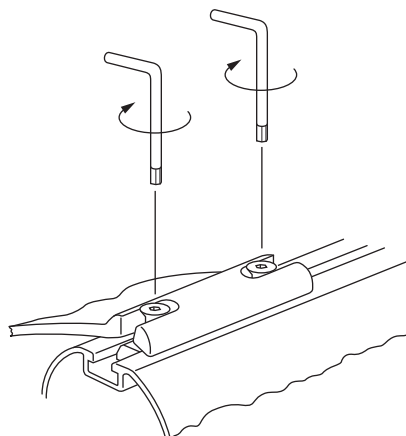
(ii)

Fix wall support



(iii)

Locate bracket in wall support and lock in place



(iv)

Position inserts and locking screws in bracket slots and secure

We recommend these brackets are for use on straight track installations only.

Silent Gliss® 1003/6100M/6120/6130/ 6140/6160 Systems Fitting Instructions

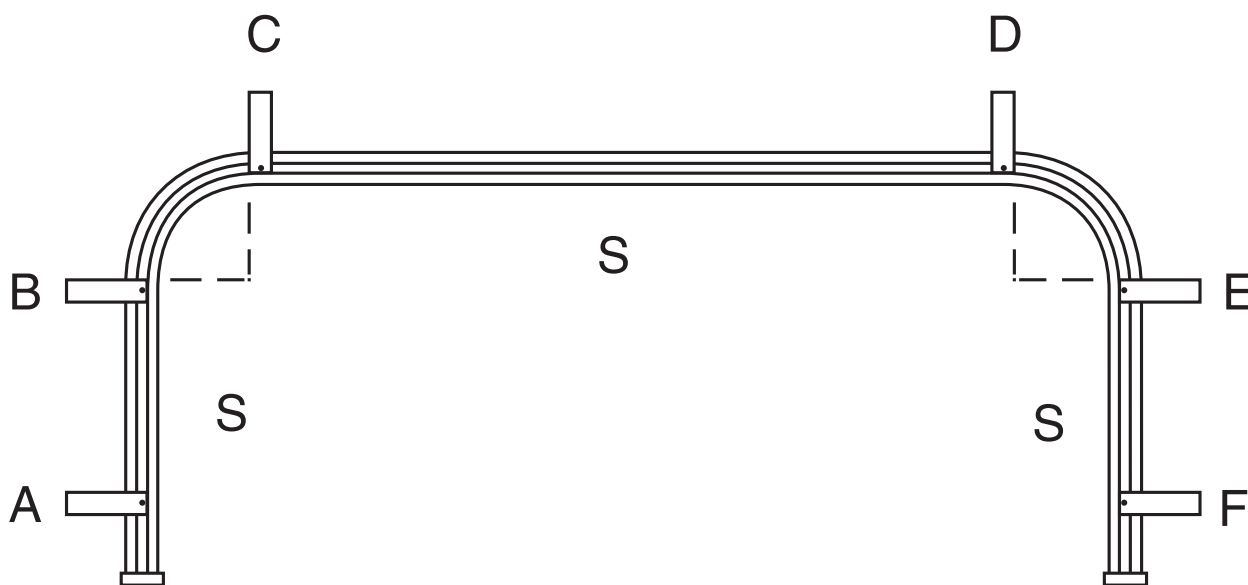
Bay windows (applies to 1003/6100M/6120/6130/6140/6160)

These tracks are designed to function superbly around bay windows.

However:

- Do ensure that nothing projects all around the window as this will detract from the performance of the system and snag your curtains.
- For wall-fixing there are optional longer brackets to assist with this problem. When ceiling fixing this should be taken care of at the setting out stage. **Do not attempt to 'tweak' or otherwise force the track** since this will damage the gliding channel and obviate the guarantee.

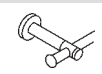
Locate brackets A, B, C, D, E, F first of all. A and F are 7cm/2³/₄" in from either end. B, C, D, E are located on the straight part of the track as soon as it comes out of the bend. Locate the remaining brackets evenly distributed on the straight parts (S) of the track between the brackets already positioned. For standard and ceiling fix brackets there should be a max. of 60cm between them. For 'Ultra' brackets a max. of 100cm between them.



0910

Silent Gliss Limited

Pyramid Business Park, Poorhole Lane, Broadstairs, Kent CT10 2PT
Telephone: 01843 863571 Fax: 01843 864503
E-mail: info@silentgliss.co.uk www.silentgliss.co.uk



1003/6120/6100M/
6130/6140/6160