

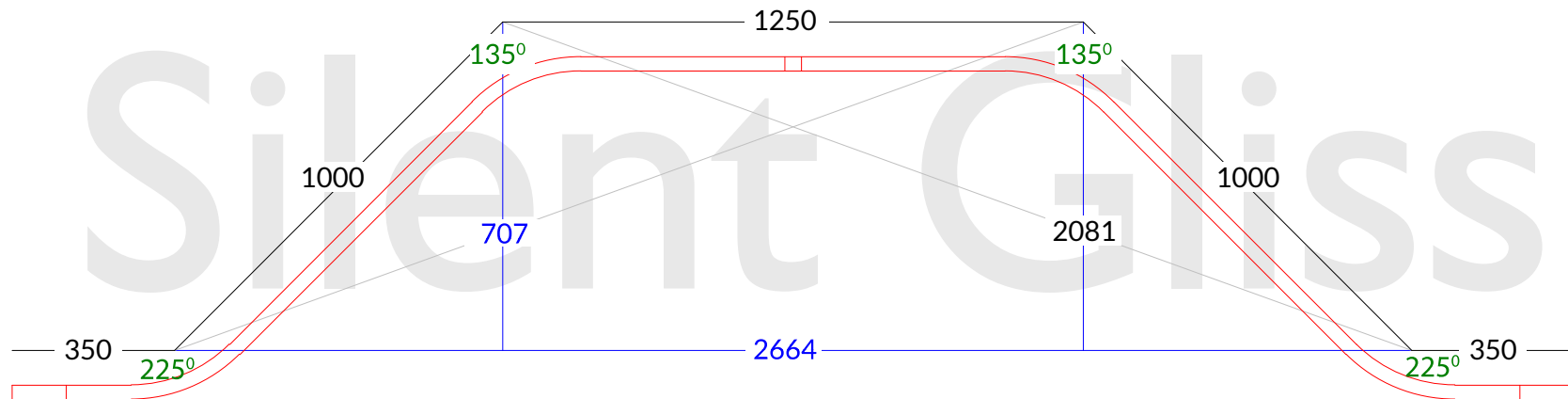


Bay Window Calculator

07/04/2015

Prior to manufacture we check your measurements to minimise any risk of error giving you peace of mind.

We will email a computerised drawing on completion of order similar to the one below.



Using: 6120 R300 Inc Ball Finial with 0537 (75mm)

Intermediate Pulley Req'd

Control Locations - LH RH Controls

Wall Length = 3950, Rail Length = 3896

Ref: Pole Design Sample Drawing Metropole 6120 with Ball